

Patapsco's Liberator Range

LIBERATOR® 'S'

A highly-flexible ISDN switch, converter or multiplexer

Support for up to 3 PRI ISDN ports and 16 BRI in many configuration options; order the version you need.

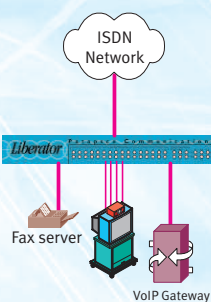


Liberator 'S' Features

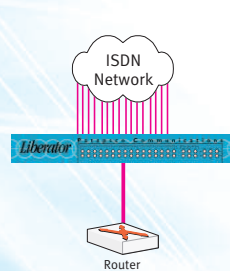
- **Full cross-connectability**
- **Flexible routing**
 - On number
 - CLI
 - Sub-address
 - Call type (voice, data, video, audio etc)
 - Port
- **Alternate routing (in the event of busy or out of service destination)**
- **Share PRIs**
- **Share BRIs**
- **Convert between PRI and BRI**
- **NT and TE ports (connects to local devices or to a network)**
- **BRI NT Power Feed (Phantom Power) option**
- **Support for Euro ISDN and ANSI (USA)**
 - Optional conversion between E1s and T1s
 - BRI conversion standard feature
 - Point-to-point and Multipoint
 - Support for SPIDs (single and dual)
 - Support for AutoSPID
 - Dual TEI
- **Local tone generation**
 - On a per-port basis
 - A-law and μ -law tones
- **Optional number conversion**
 - Convert any number, or part of number to anything else
 - Add CLI and sub-addressing
- **En-Bloc and Overlap dialling support**
- **Clocking hierarchy**
 - Auto switch-over
- **Excellent intuitive GUI**
 - Connect via LAN interface
 - Or serial port
 - Or optional ISDN call
- **ISDN signal capture/debug tool**
 - Useful when adding new equipment
 - Capture log for subsequent analysis
- **Many 'Advanced' features**
 - For more unusual networks/DTEs
 - For example, manipulate Information Elements (IEs)
 - 'Overlap wait' feature
 - Fixed TEI of 0

The following shows just a few of the many possible configuration and application options.

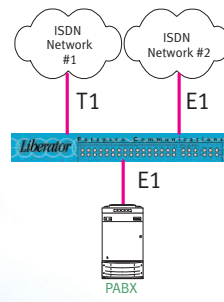
A single PRI can be shared between many local applications.



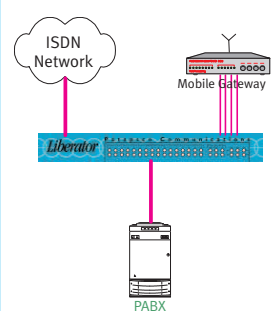
BRIs from the network can also be converted into PRIs.



Optional E1 to T1 conversion.



Many BRI/PRI configuration options.





LIBERATOR® 'D'

Multiple PRI distributable cross-connect switch

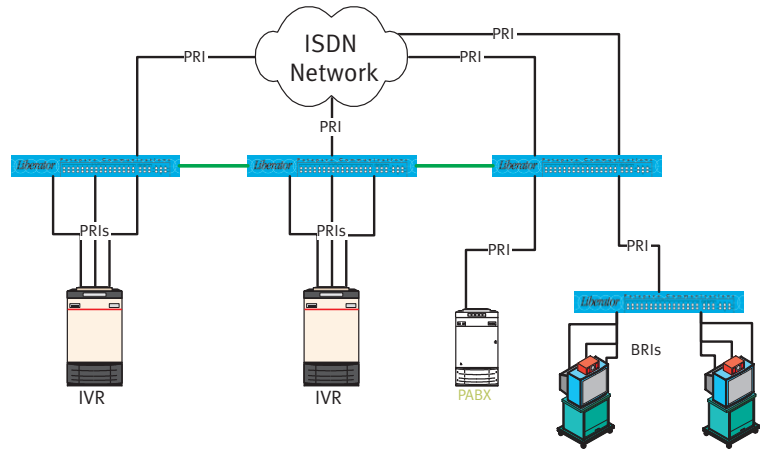
Supports from 4 to 40 PRIs with very flexible routing options.

Liberator 'D' Features

- **4-PRI stand-alone 'Elements'**
 - Each with own internal PSU
- **Connect up to 10 Elements**
 - Up to 40 PRIs
- **Sophisticated routing and number manipulation**
 - With alternate routing
- **Elements can be distributed**
 - Locate where I/O is required
 - On standard CAT5E cable
 - Distances at least 100m
- **Non-blocking cross-connect**
 - Any channel to any channel
- **All ports synchronised and clock-locked**
- **User switchable NT/TE**
- **E1 T1 conversion**
- **A-Law to μ -Law conversion**
- **Similar features to the Liberator 'S'**
- **Easy to add extra ports as needed**
- **Managed via intuitive GUI**

This diagram shows three Liberator 'D' units sharing and switching between multiple network and local PRIs. A Liberator 'S' attached to a PRI port delivers local BRIs.

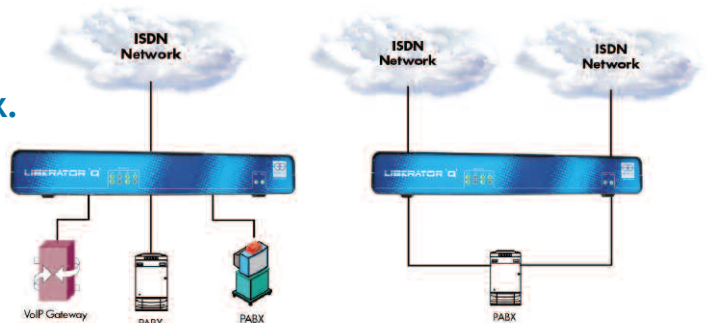
Calls can be passed between any PRI and timeslot with very flexible routing capabilities.



LIBERATOR® 'Q'

Low-cost 4-PRI switch or mux.

All of the routing, switching and conversion capabilities of the Liberator 'S' and 'D', but in a low-cost 4-port platform.



Detailed brochures are available on all Liberator products.

PatapSCO also have a range of ISDN over IP/Ethernet products that compliment the Liberator range.

PacketBand-ISDN extends or switches ISDN BRI/PRI calls across packet networks for all call types; voice and data/video.

Ideal for carriers migrating to NGNs, organisations with a mixture of voice and data devices including, for example, videoconferencing, faxes, encryptors, modems etc.